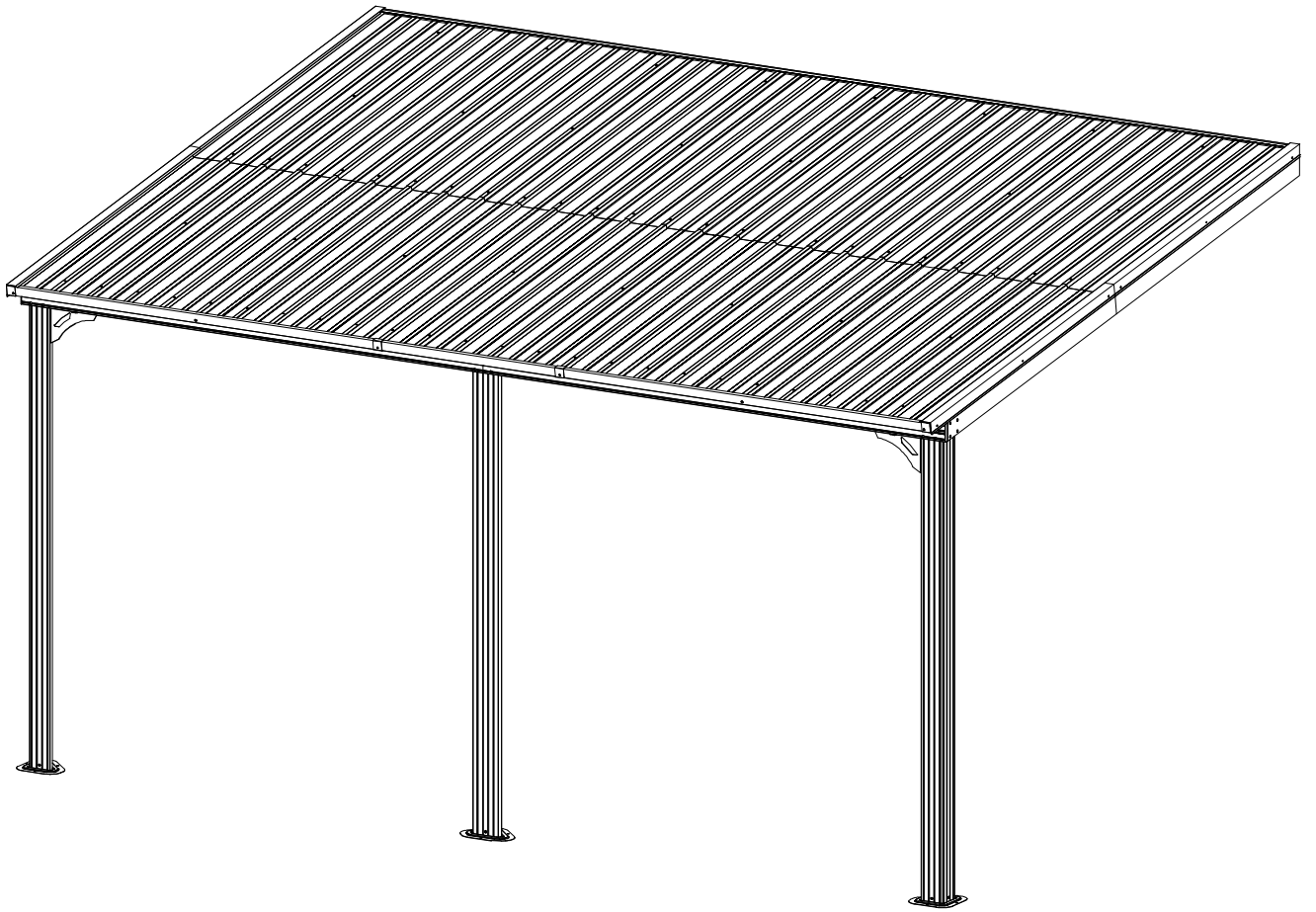




VEIKOUS



www.veikous.com



customerservice@veikous.com

STOP

**MISSING A PART?
CALL US BEFORE GOING
BACK TO THE STORE**

The store where you made your purchase
Does not stock parts for this item.
If you have assembly questions or you are missing or
have damaged parts, please call

1-858-324-1911

(Mon - Fri, 10:00 am to 7:00 pm EST)

you can also e-mail customerservice@veikous.com

or visit www.veikous.com

Please prefer email contact. Due to busy lines,
there may be a wait for calls to be answered.

Please have the following information ready when you make your call:

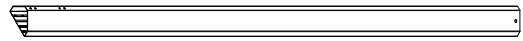
- The model number of the product is printed on the package box
 - Description of the part from the parts list
-
- Read entire assembly manual, paying special attention to the important tips and safety information .
 - Ensure there are no missing pieces by first separating and identifying all parts.
 - Make sure to check packing material for small parts that may have fallen out during shipment.
 - Structures are not intended for public use. The Company does not warranty any of its residential structures subjected to commercial use such as: Daycare, Preschool, Nursery School, Recreational Park, or any similar Commercial Application.
 - This manual contains helpful information concerning assembly preparation, installation procedure and required maintenance.
 - Always keep safety in mind as your structure is being built.
 - Keep these instructions for future reference.



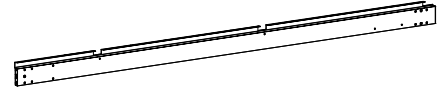
A 1x



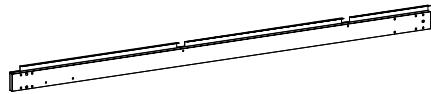
A1 1x



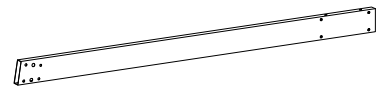
Ea 1x



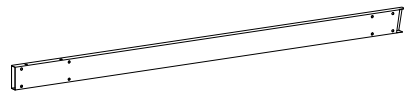
B 1x



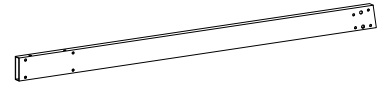
B1 1x



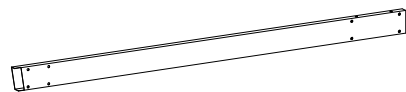
C 1x



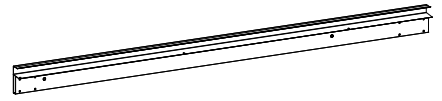
C1 1x



C2 1x



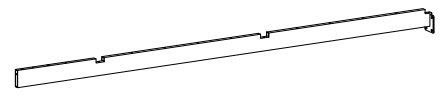
C3 1x



D 1x



D1 1x



E 2x



E1 1x



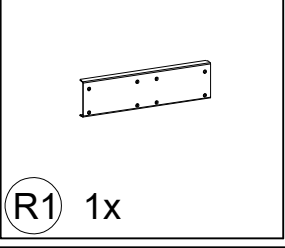
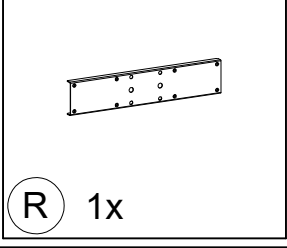
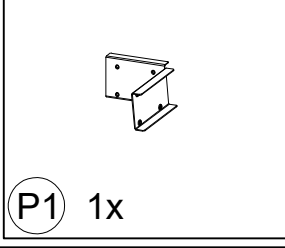
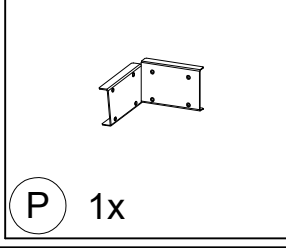
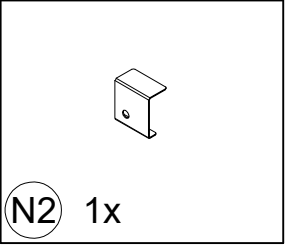
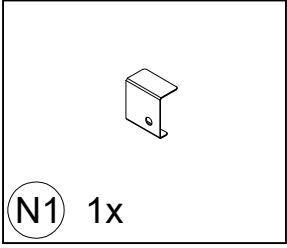
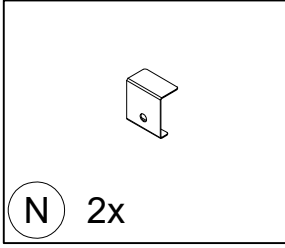
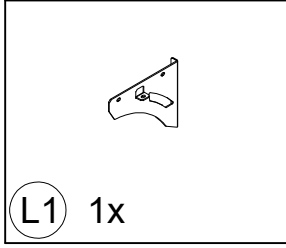
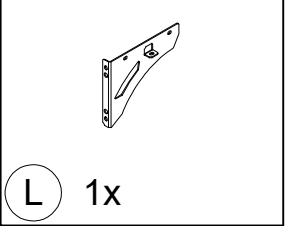
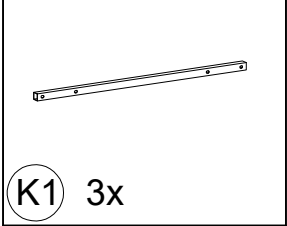
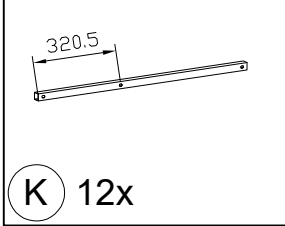
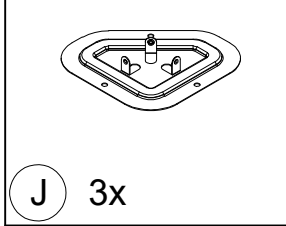
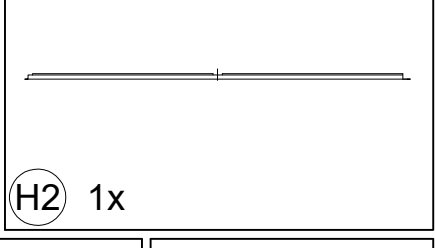
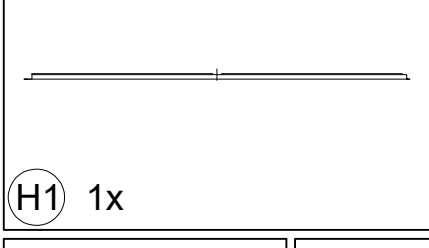
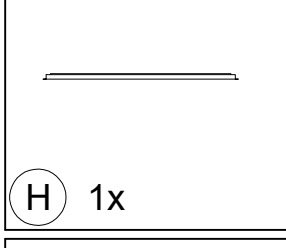
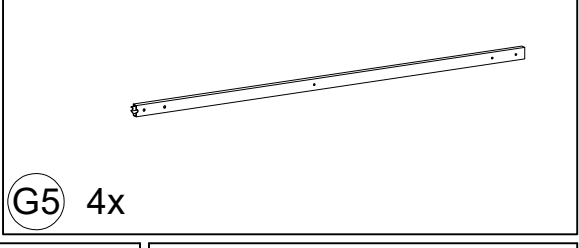
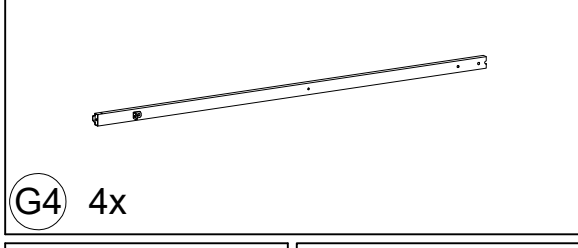
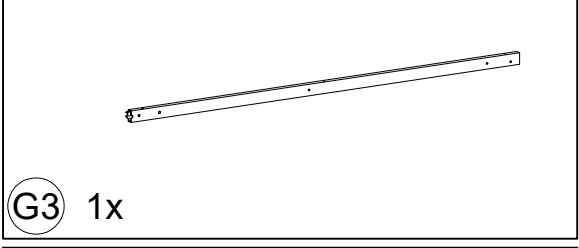
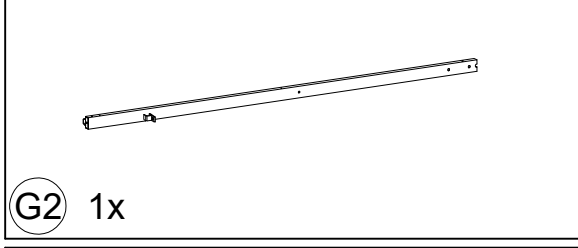
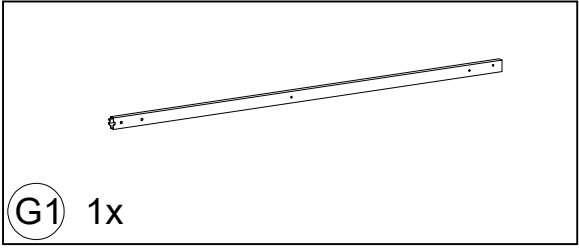
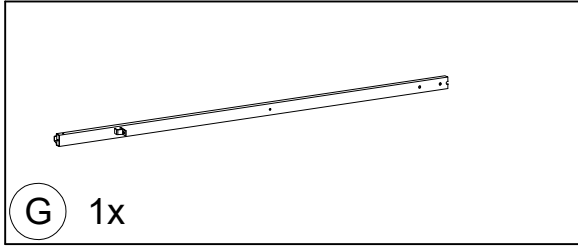
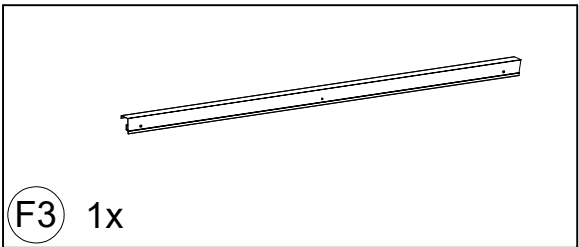
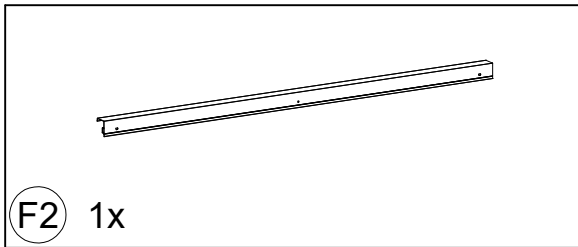
E2 1x




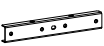




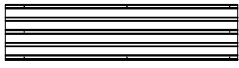
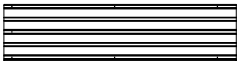
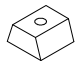

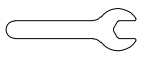

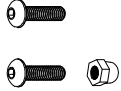
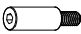


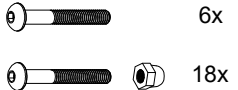




F 1x



F1 1x

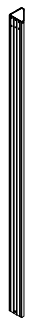


| | | | |
|--|---|--|--|
|  |  |  |  |
| R2 2x | R3 2x | R4 2x | R5 6x |
|  |  |  | |
| W 6x | W1 12x | S 7x | |
|  | |  |  |
| S1 7x | | S2 2x | S3 2x |
|  |  S4 1x | | |
| Y 58x |  1x | | |
|  M6x15 |  20x M6x23 |  M6x12/24 |  ST4.8x20 |
| 1 197x | 2 20x+20x | 3 8x | 4 12x |
|  M6x10/20 |  6x M6x47 |  |  |
| 5 16x | 6 6x+18x | 7 4x | 8 9x |
| | | | |

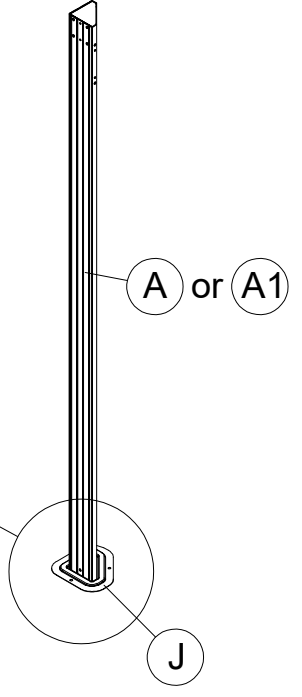
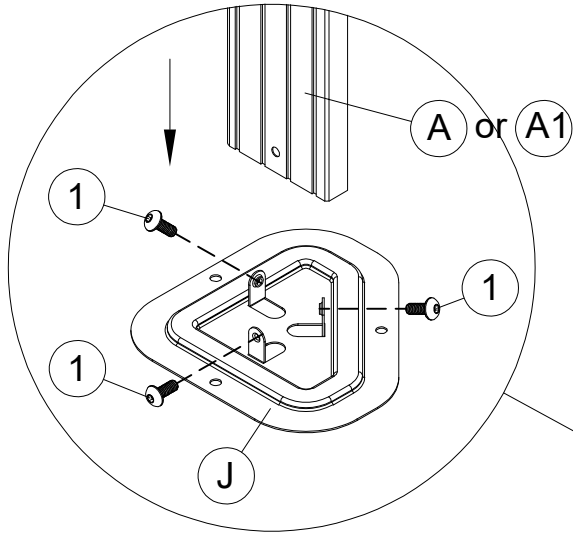
<1>



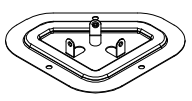
(A) 1x



(A1) 1x



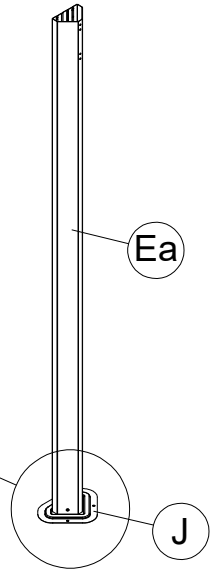
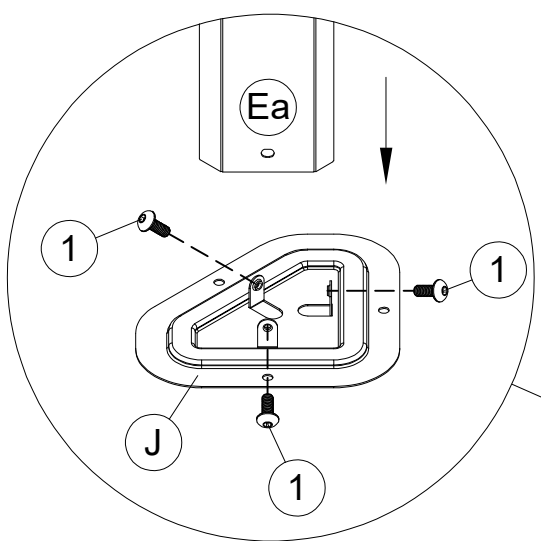
(Ea) 1x



(J) 3x

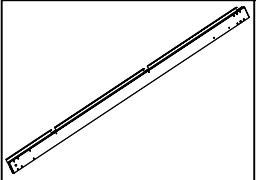


(1) 9x M6x15

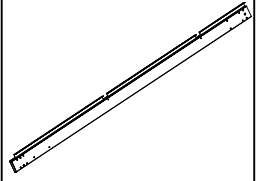


6

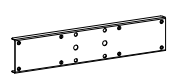
<2>



B 1x



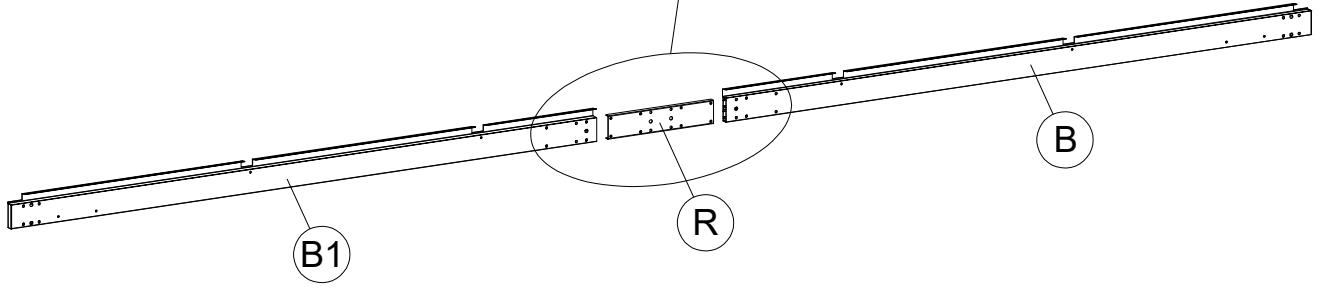
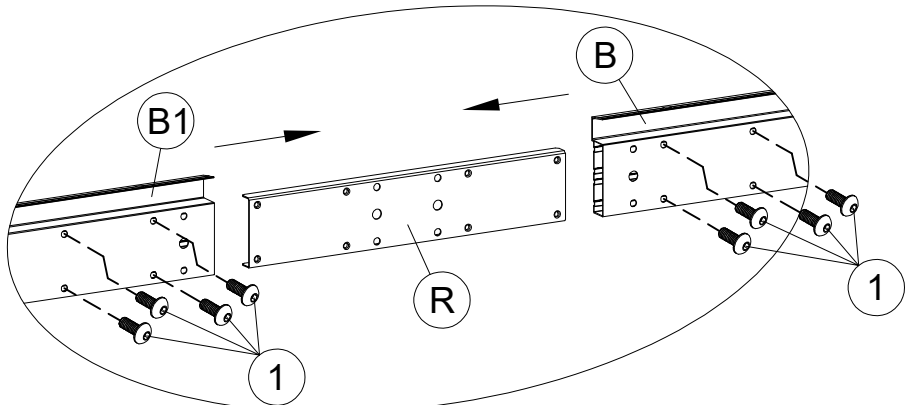
B1 1x

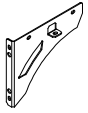


R 1x



1 8x M6x15





L 1x



L1 1x

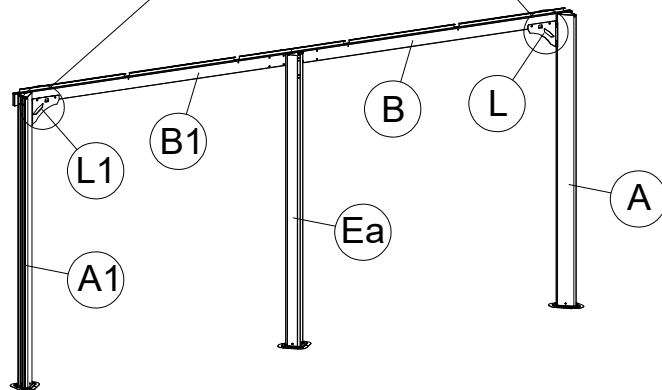
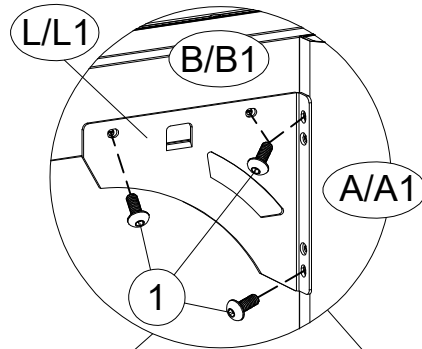
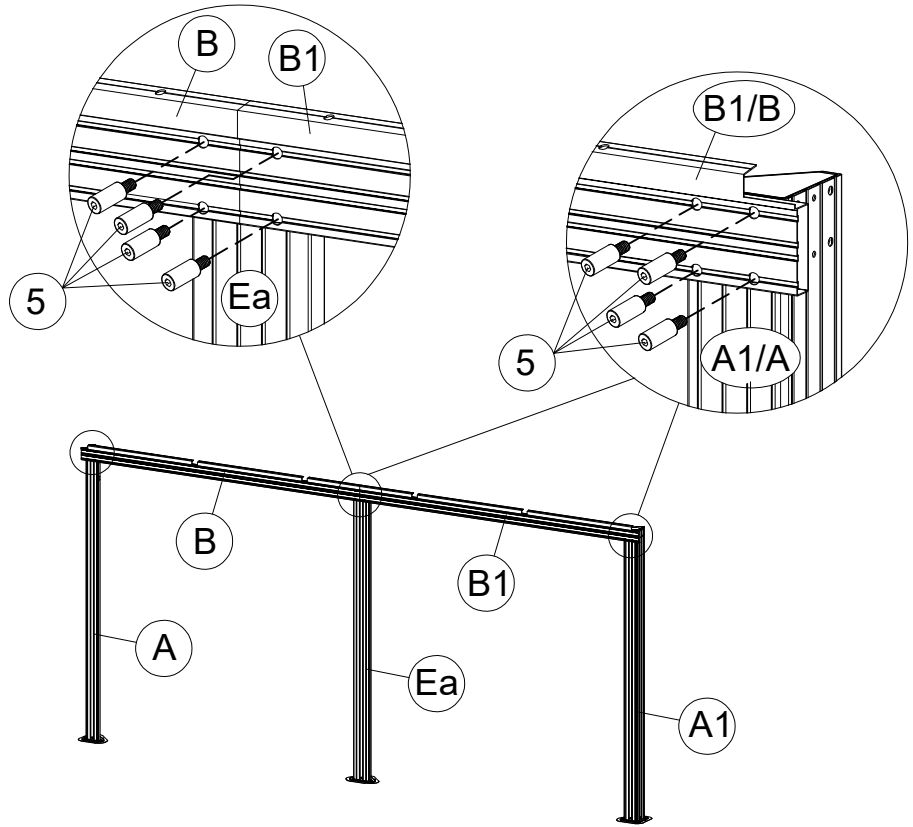


1 8x M6x15



5 12x M6x10/20

<3>



8

<4>



C 1x



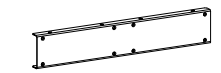
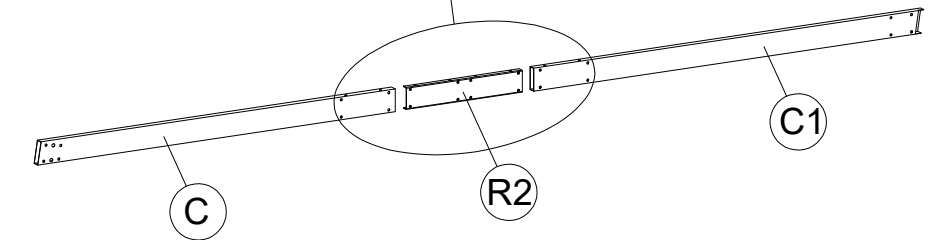
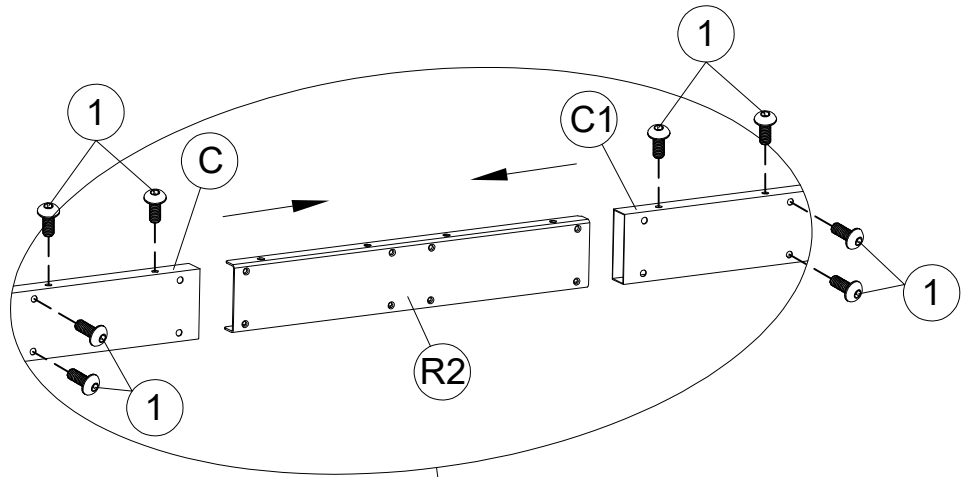
C1 1x



C2 1x



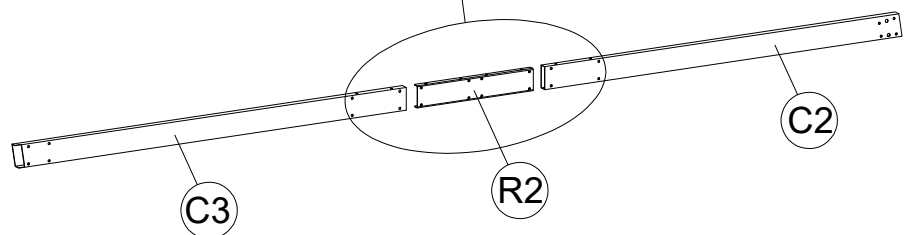
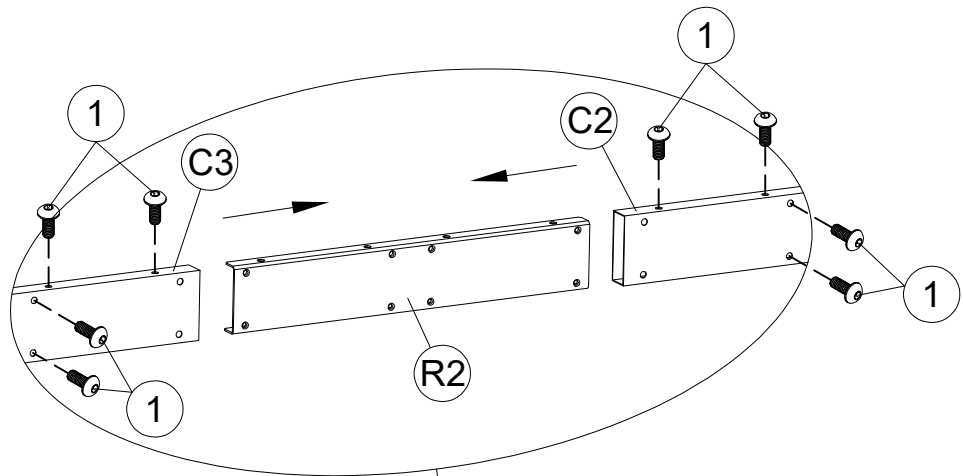
C3 1x



R2 2x



1 16x M6x15



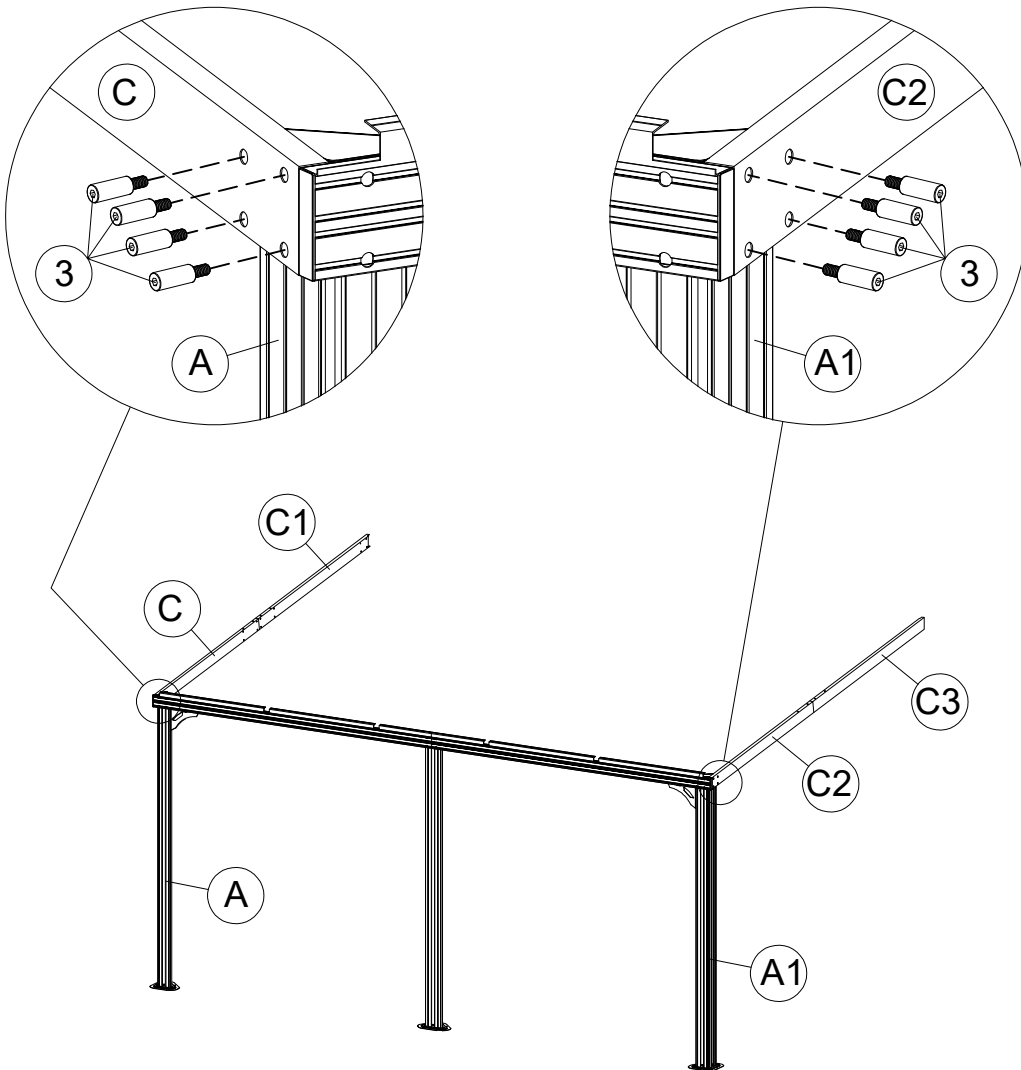
9



<5>

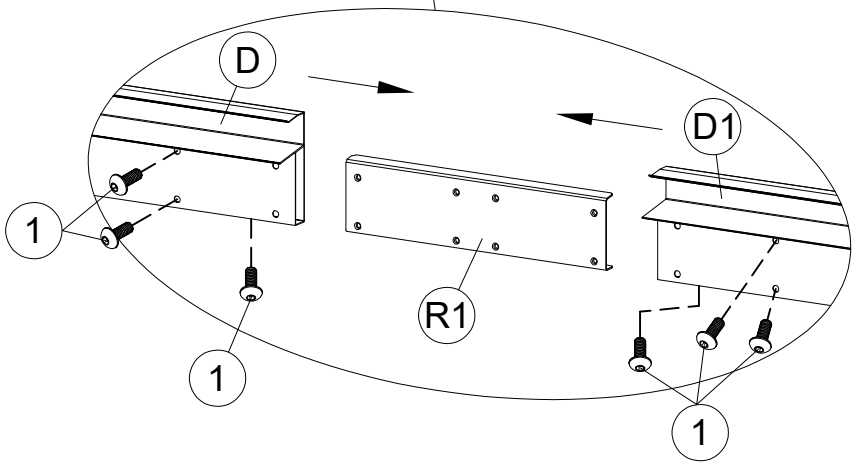
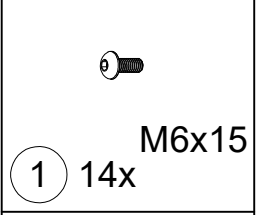
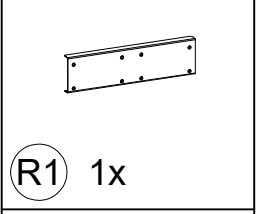
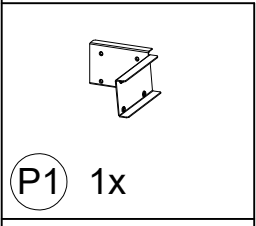
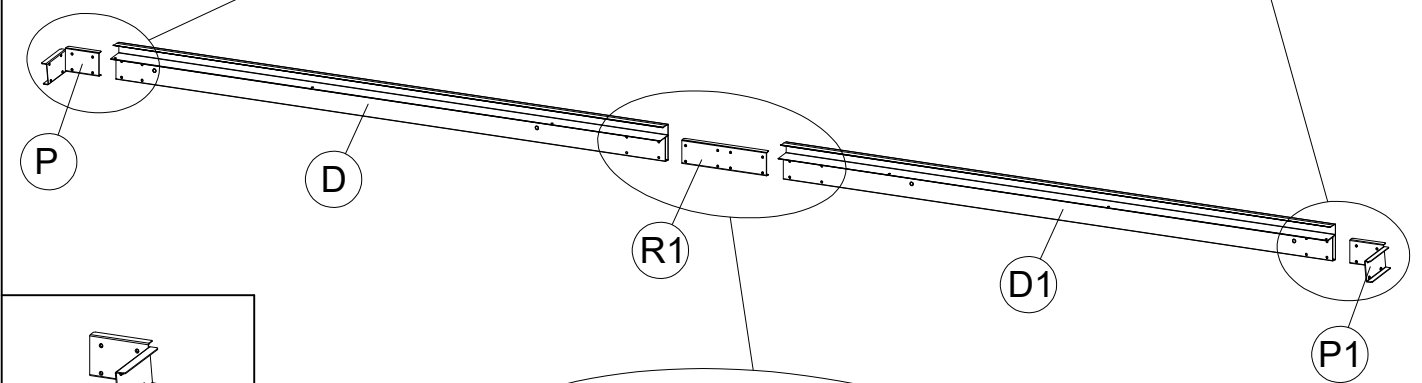
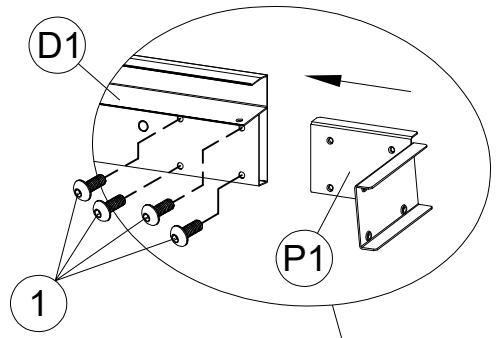
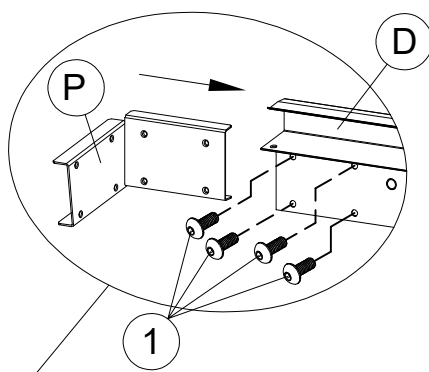
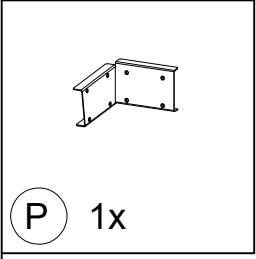
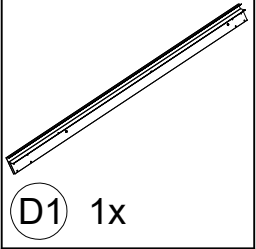
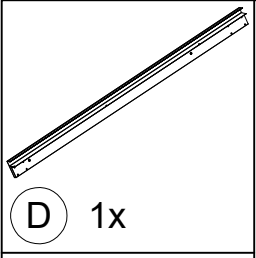
M6x12/24

3 8x



10

<6>

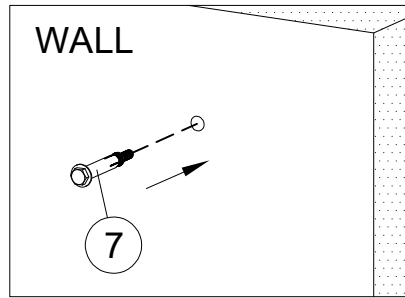




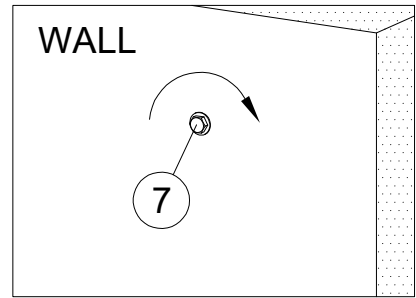
<7>

7 4x

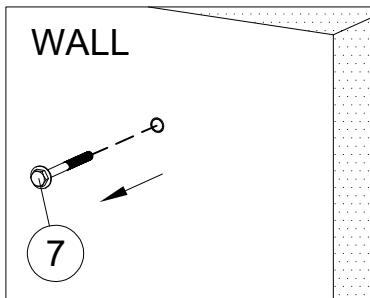
(a)



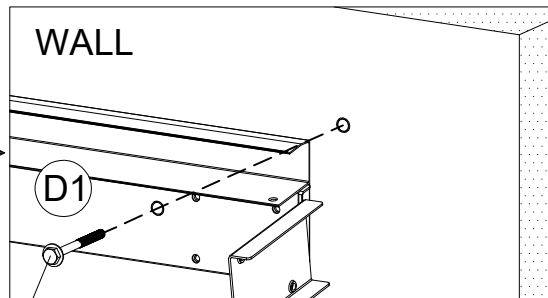
(b)



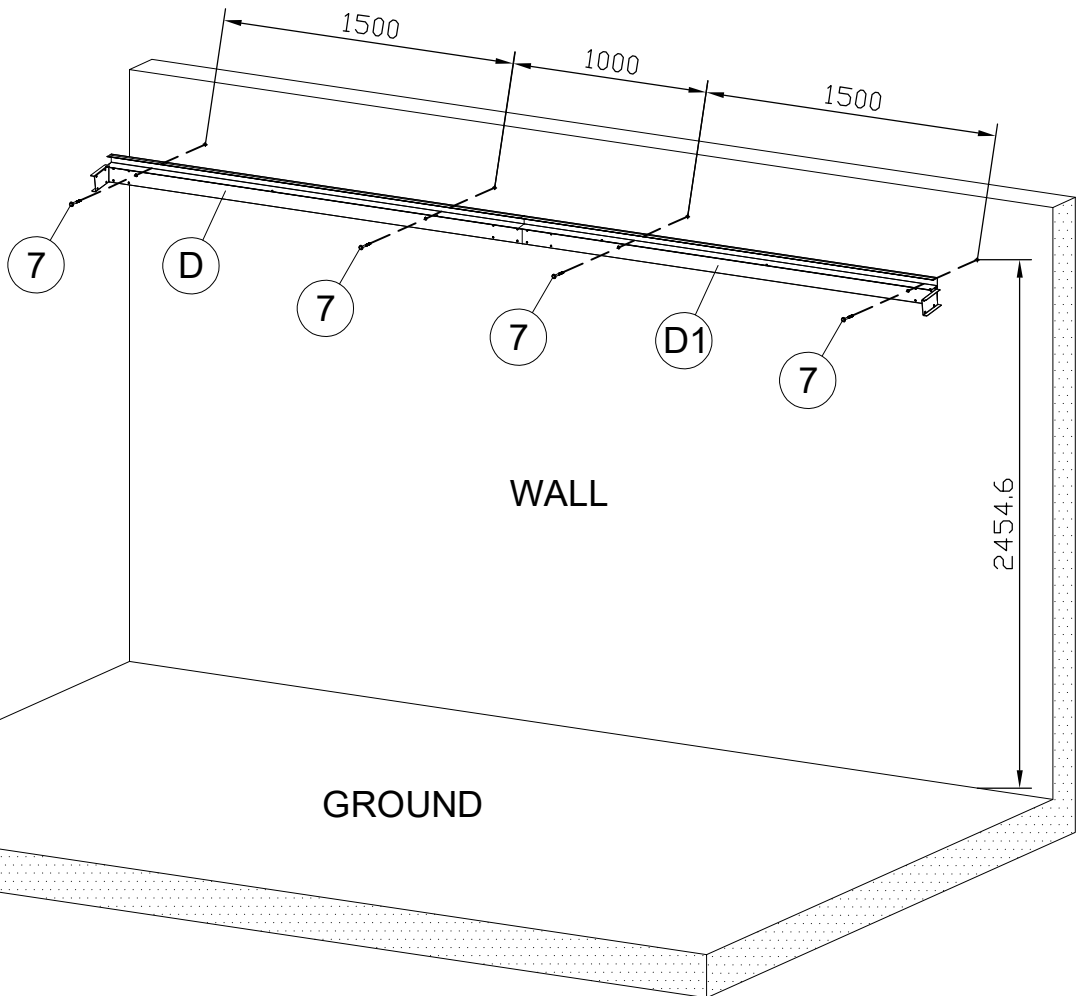
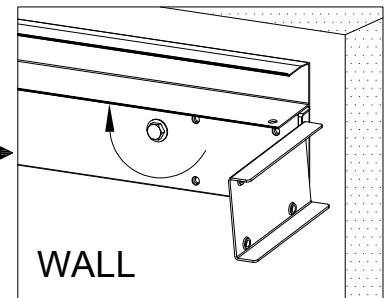
(c)



(d)



(e)

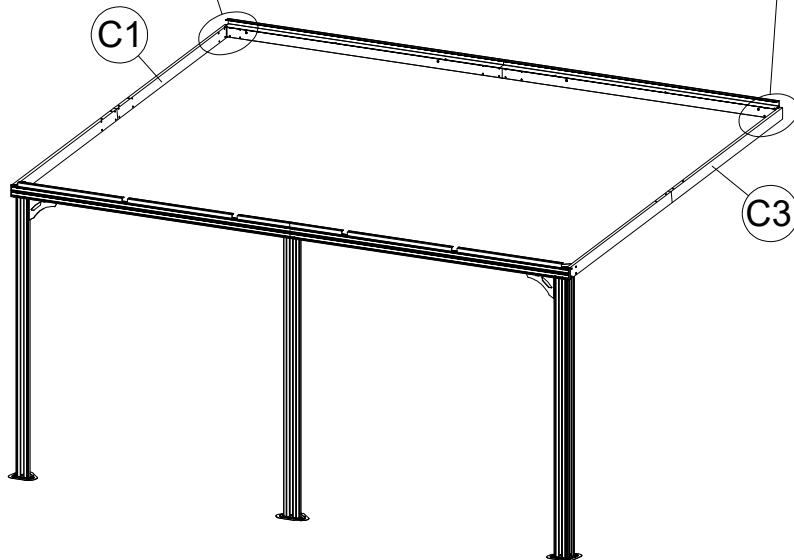
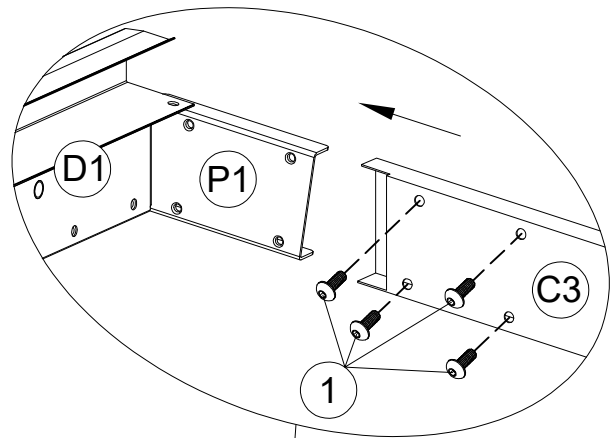
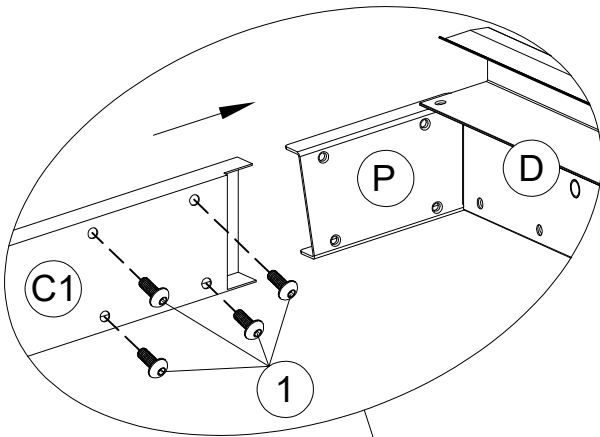




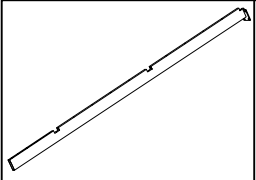
<8>

1

M6x15
8x



<9>



(E) 2x



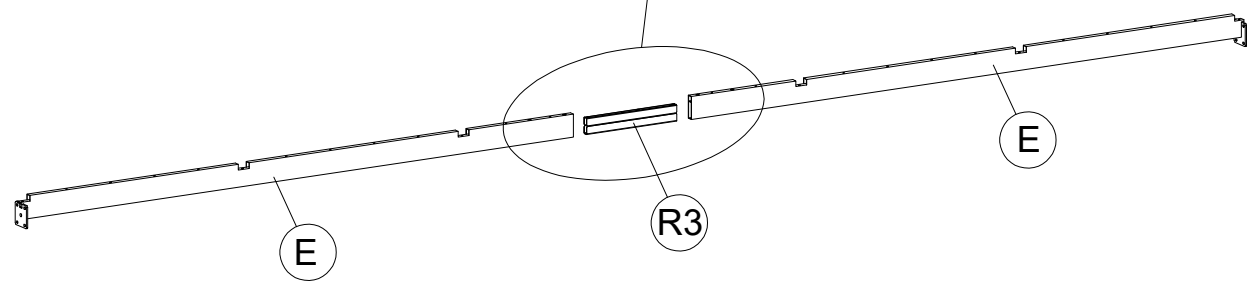
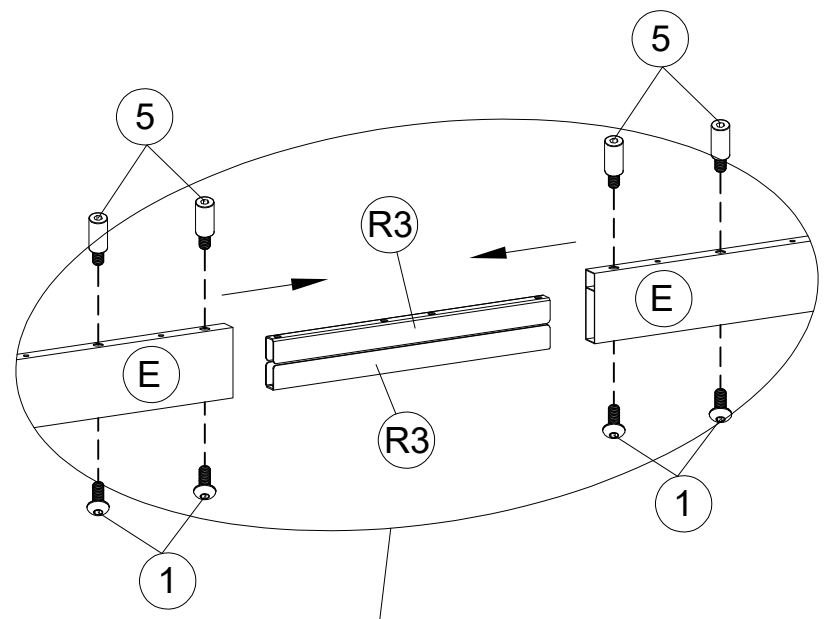
(R3) 2x



(1) 4x M6x15



(5) 4x M6x10/20



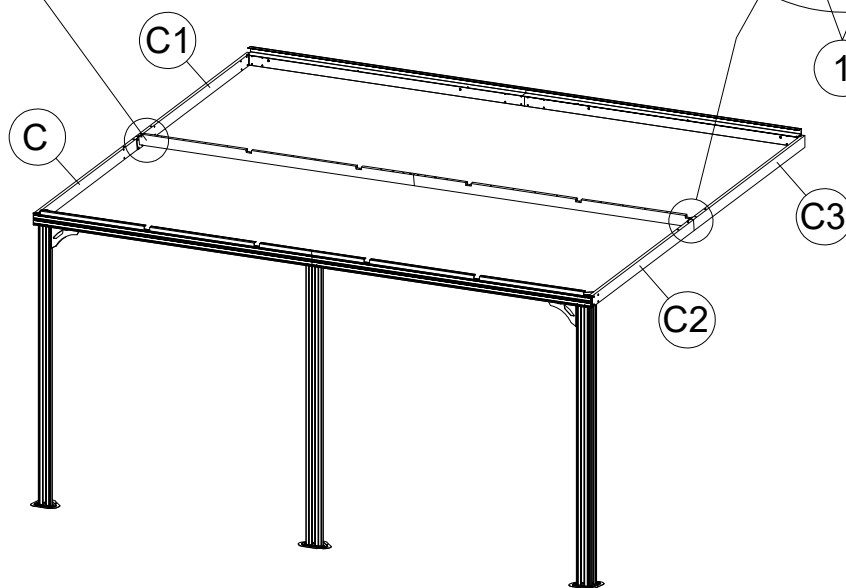
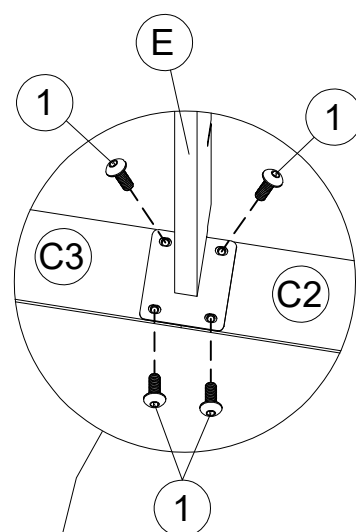
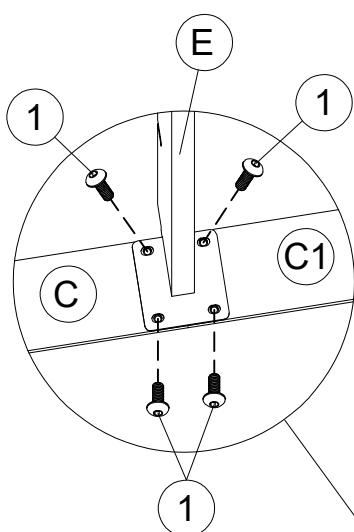


<10>

1

8x

M6x15



15

<11>



G 1x



G1 1x



G2 1x



G3 1x



G4 4x



G5 4x

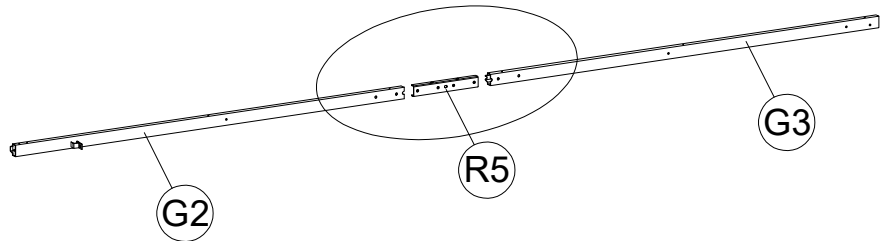
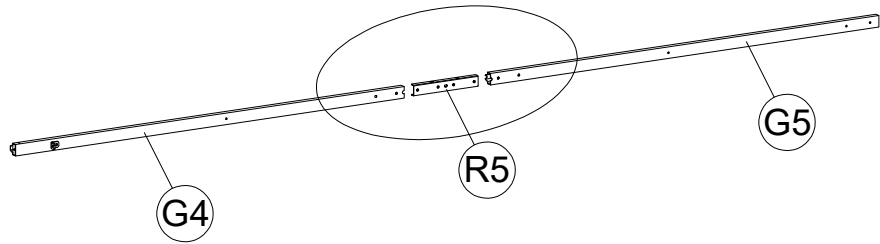
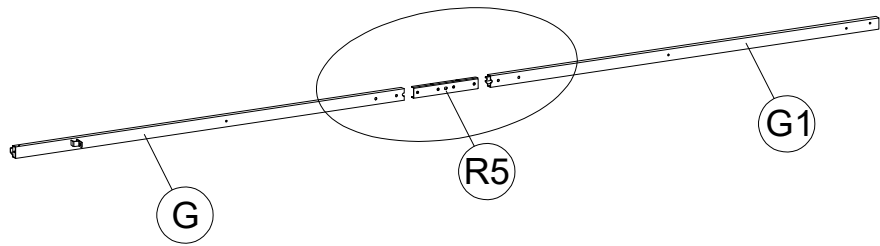
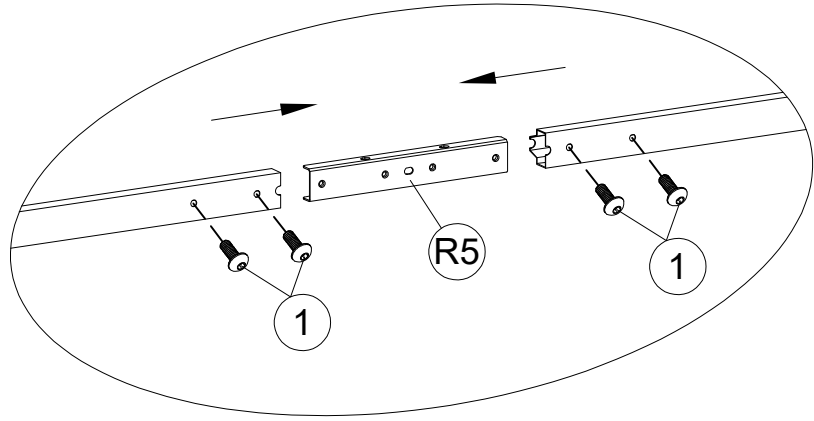


R5 6x



1 24x M6x15

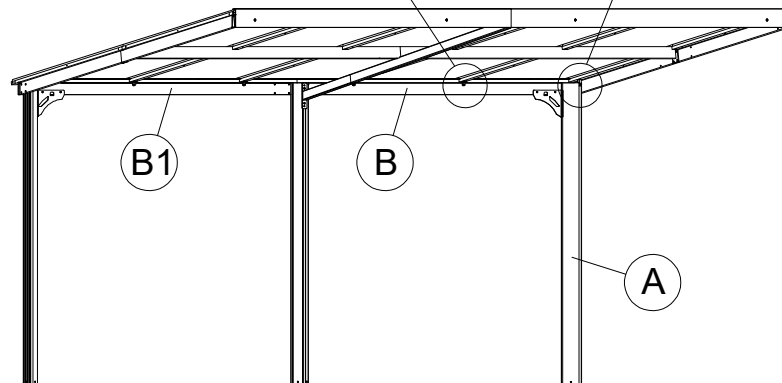
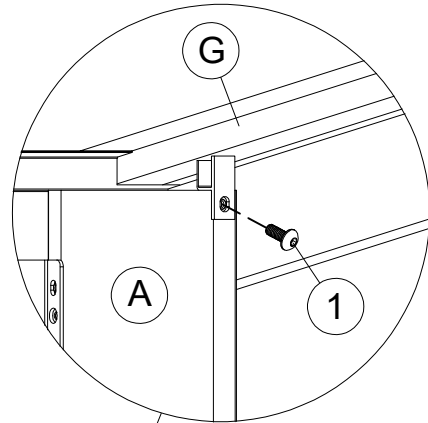
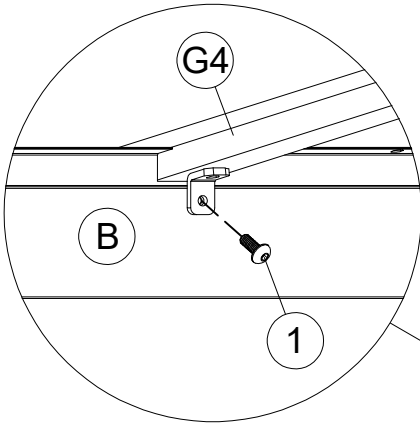
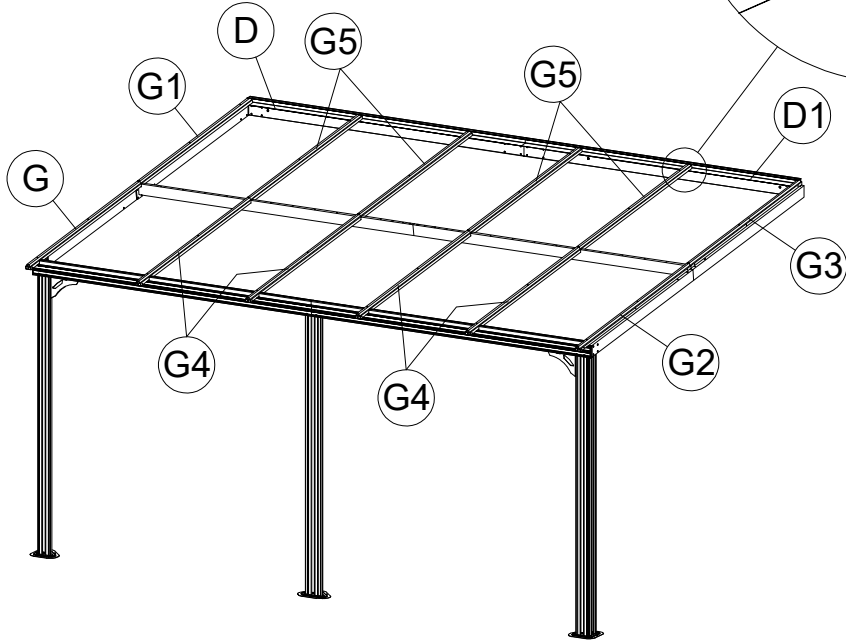
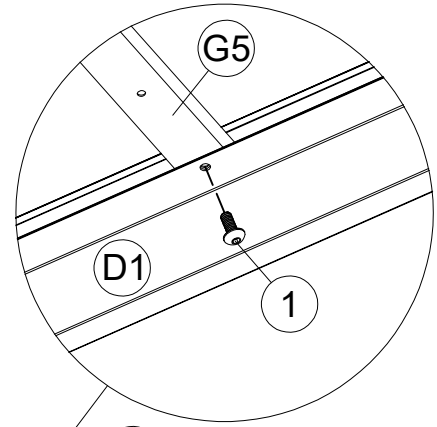
16





<12>

1 12x M6x15

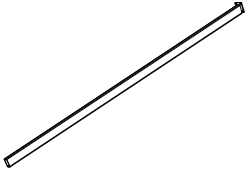


17

<13>



E1 1x



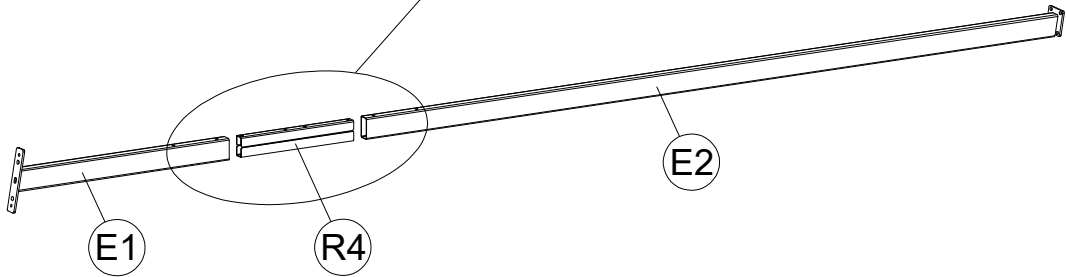
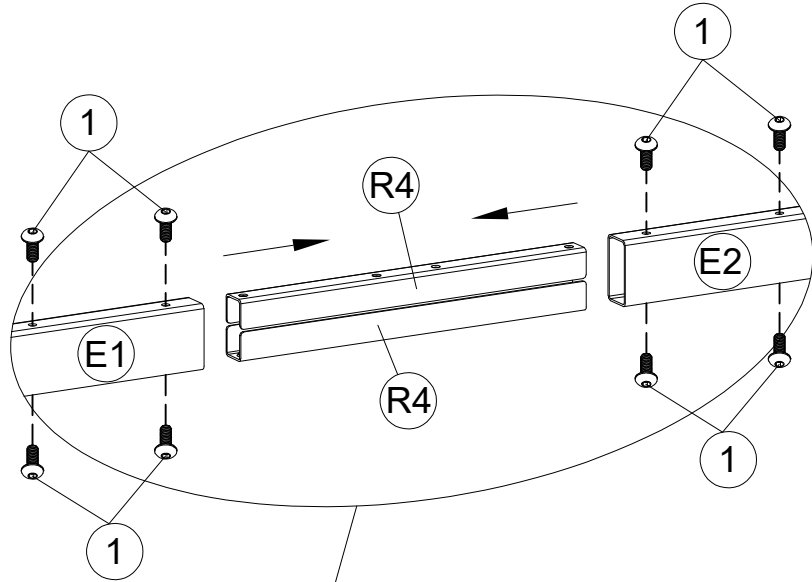
E2 1x



R4 2x



1 8x M6x15



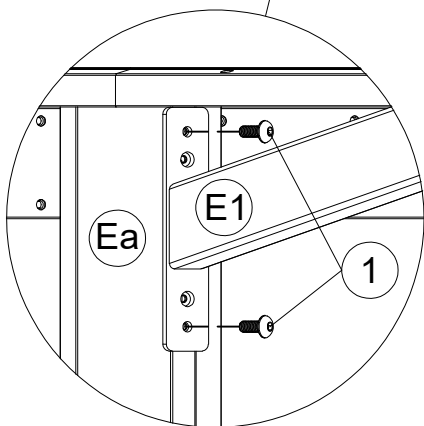
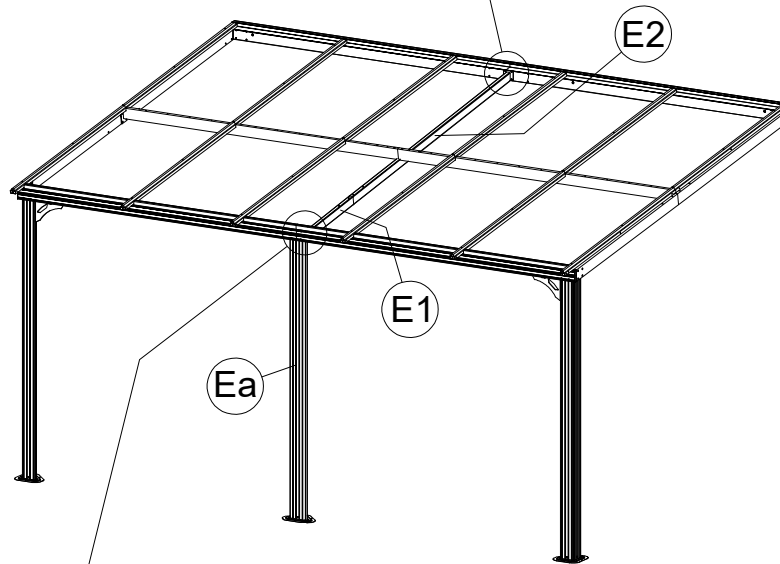
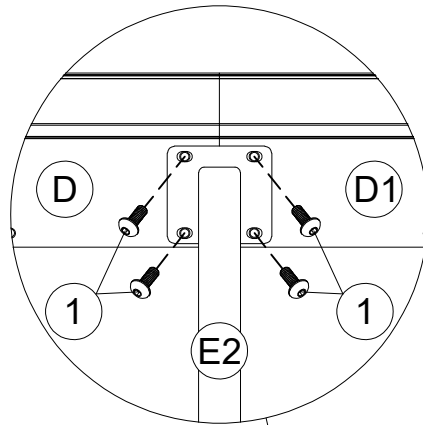


<14>

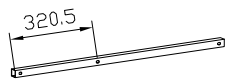
1

6x

M6x15



19



<15>

(K) 12x



(W) 6x

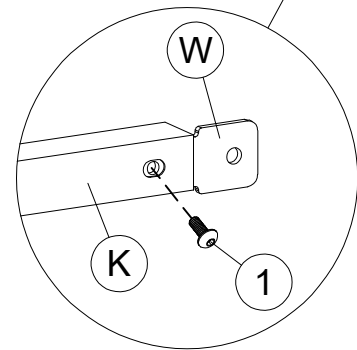
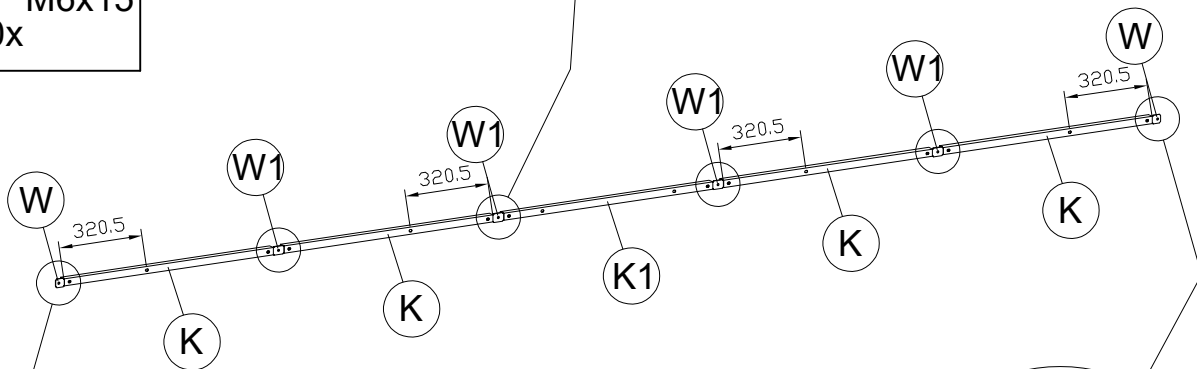
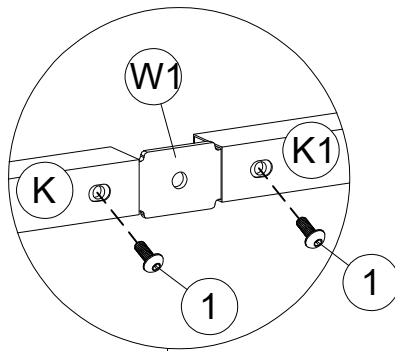
(K1) 3x



(W1) 12x



(1) 30x M6x15

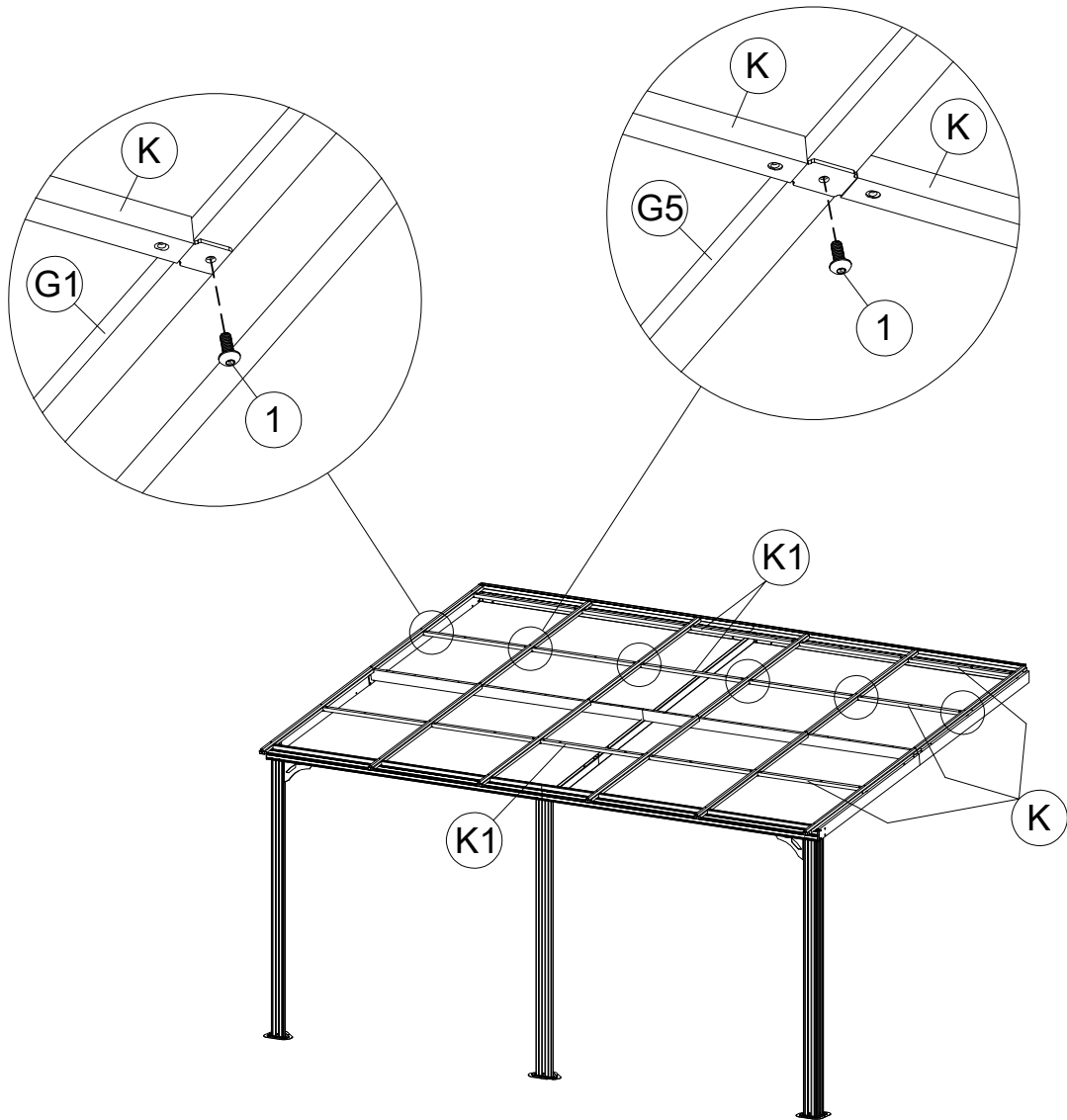


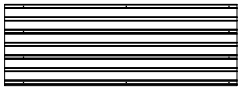
20



<16>

1 18x M6x15



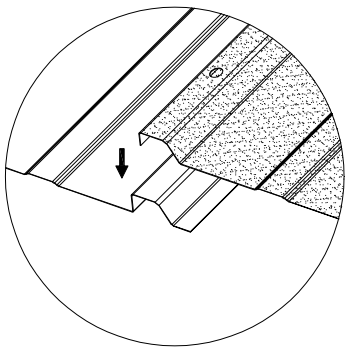
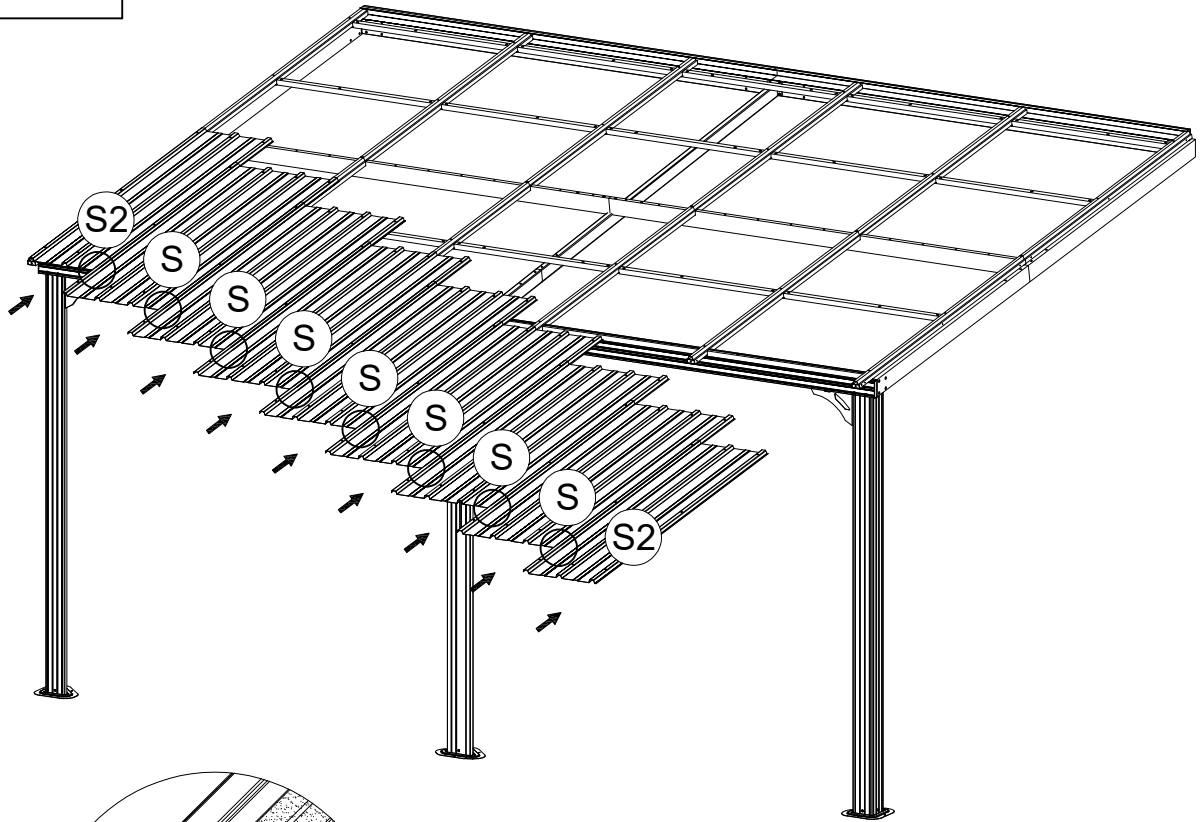


<17>

S 7x



S2 2x





<18>

Y 26x



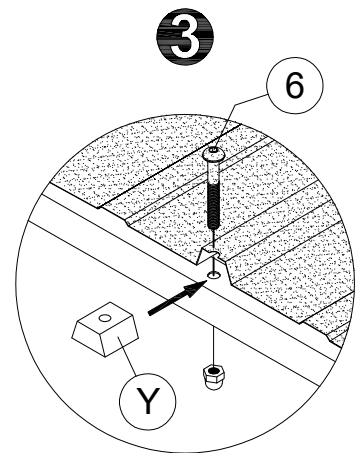
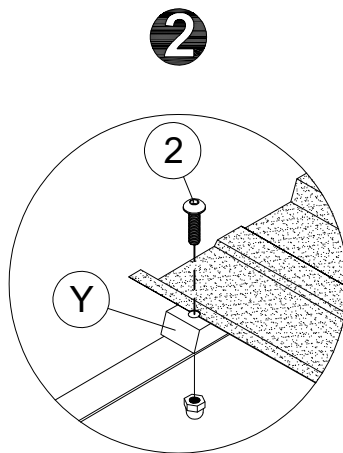
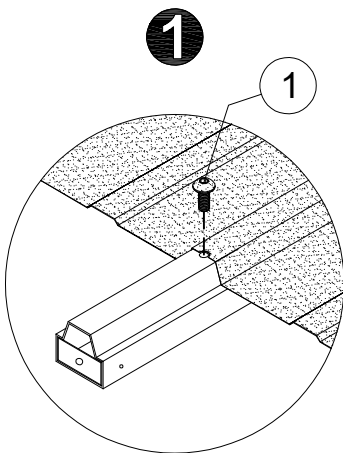
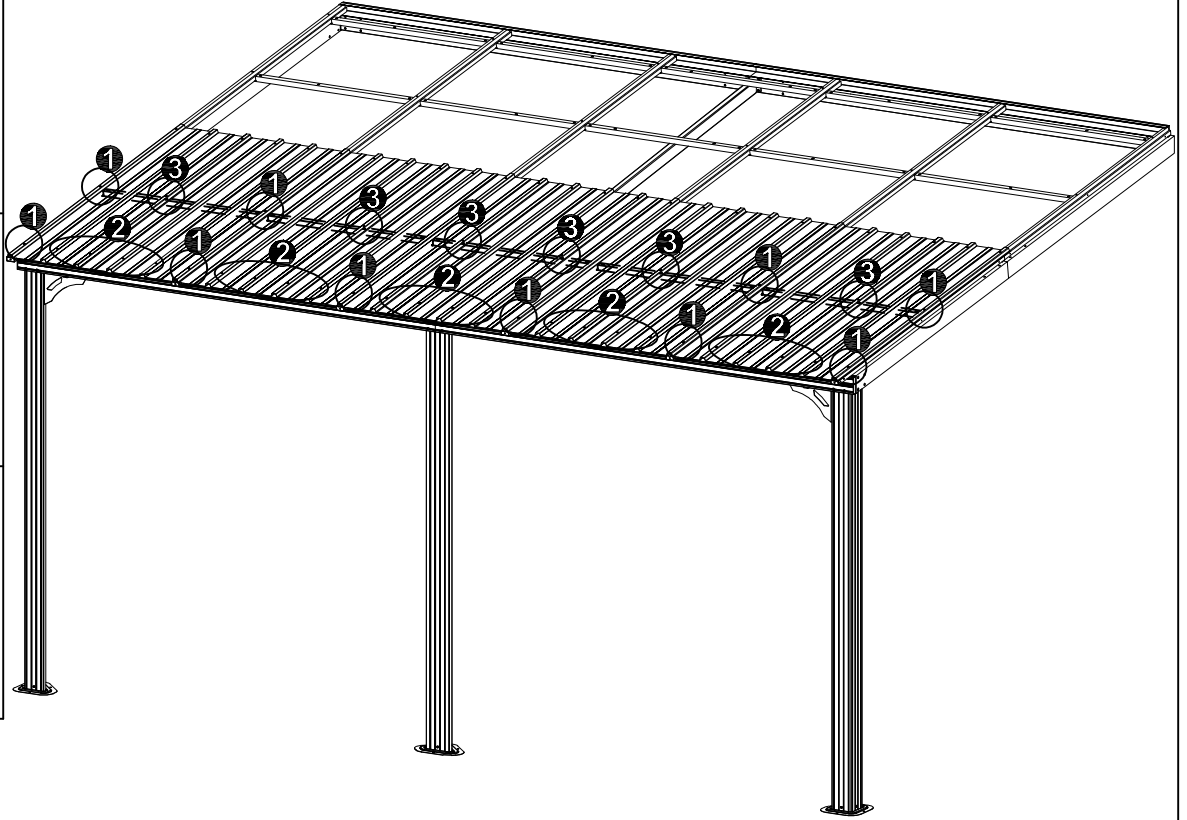
1 M6x15
10x

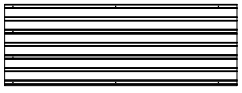


2 M6x23
20x



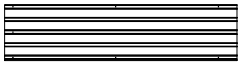
6 M6x47
6x



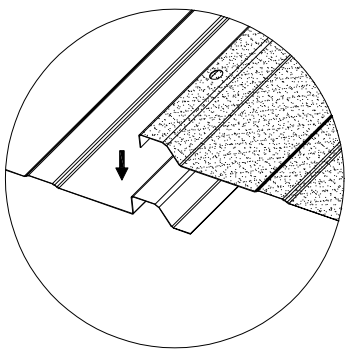
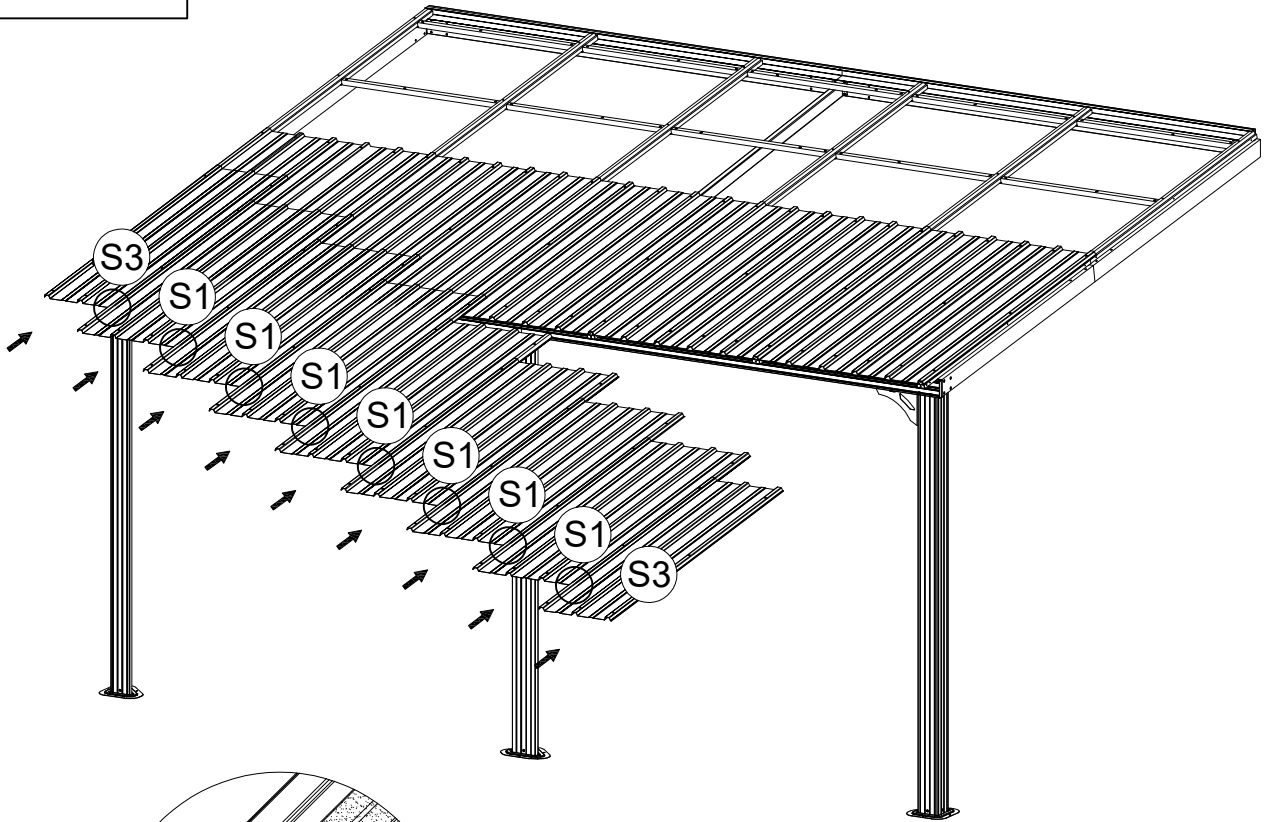


<19>

S1 7x



S3 2x





<20>

Y 32x



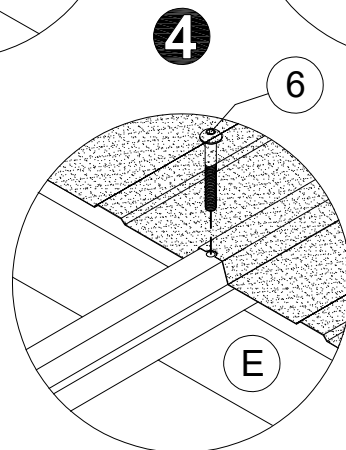
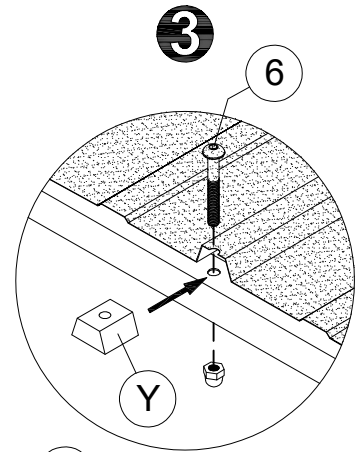
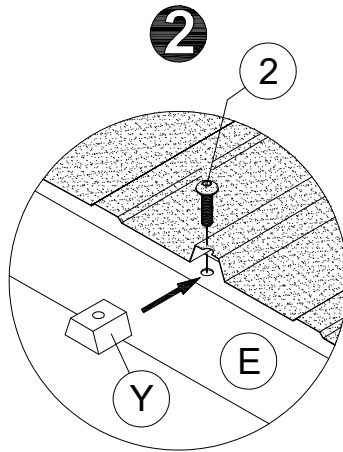
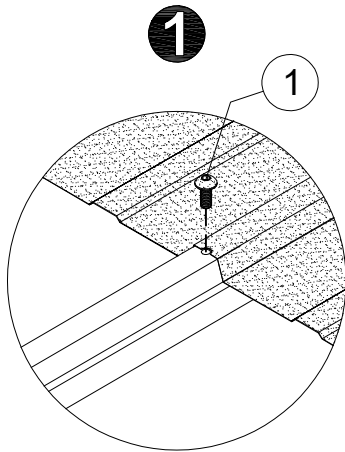
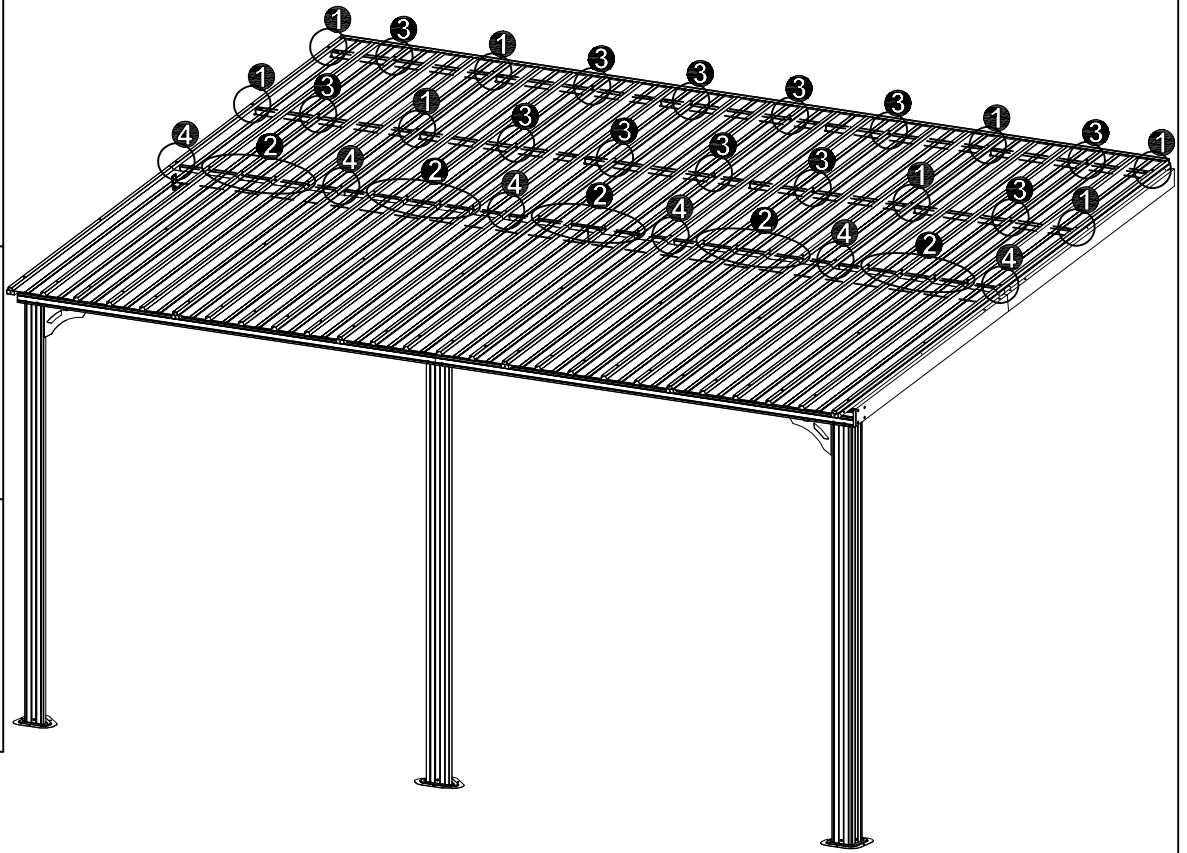
1 8x M6x15



2 20x M6x23

6x
12x

6 6x + 12x M6x47



25



<21>

F 1x



F1 1x



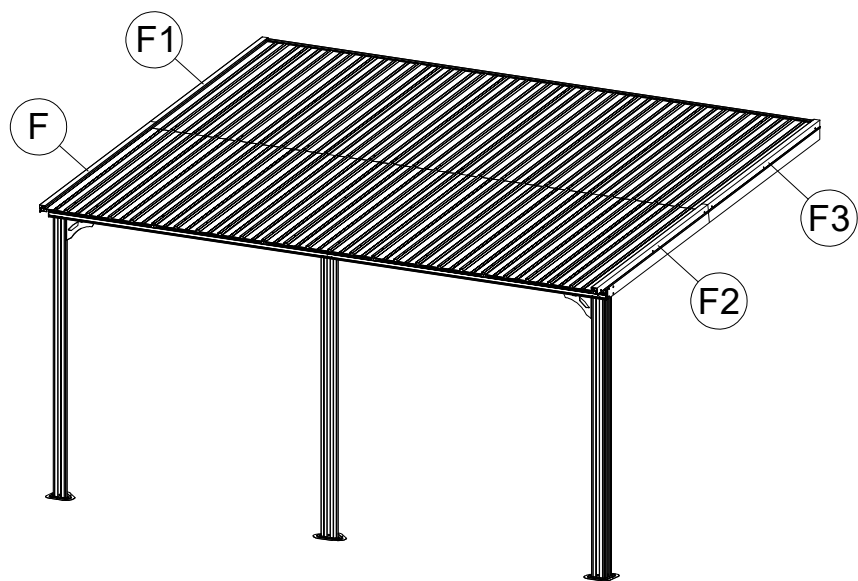
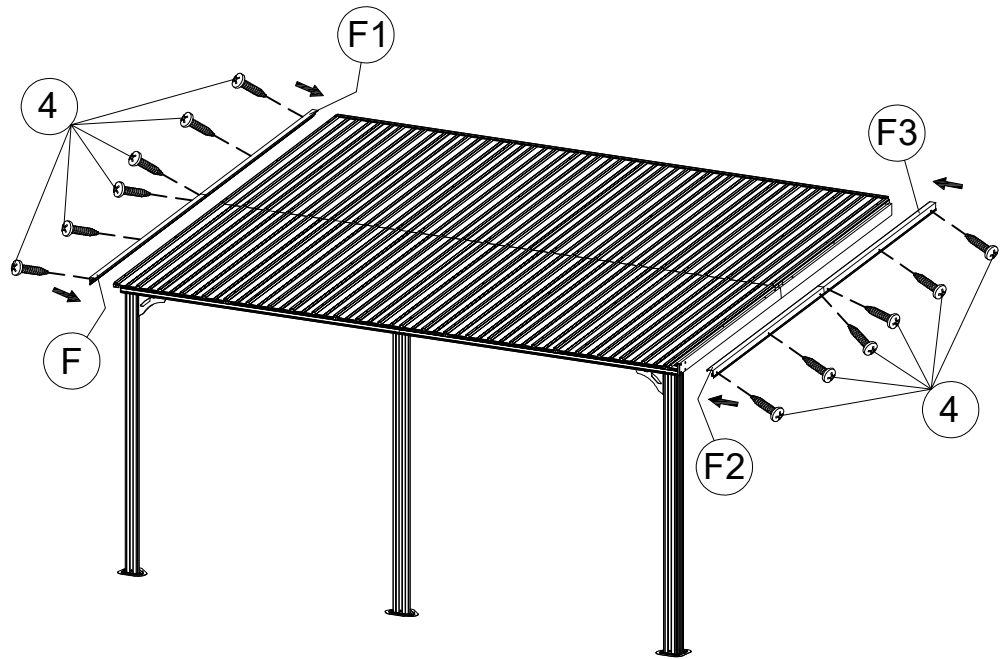
F2 1x



F3 1x



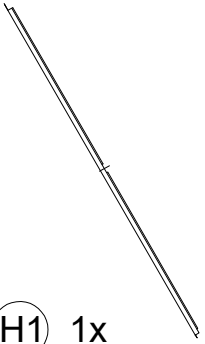
4 ST4.8x20
12x



<22>



H 1x



H1 1x



H2 1x



N 2x



N1 1x

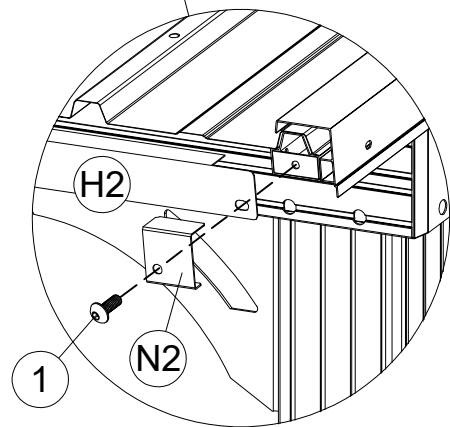
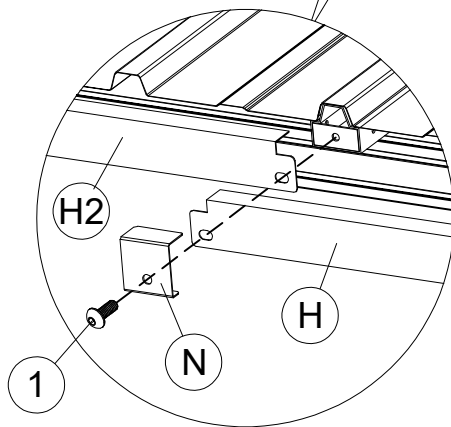
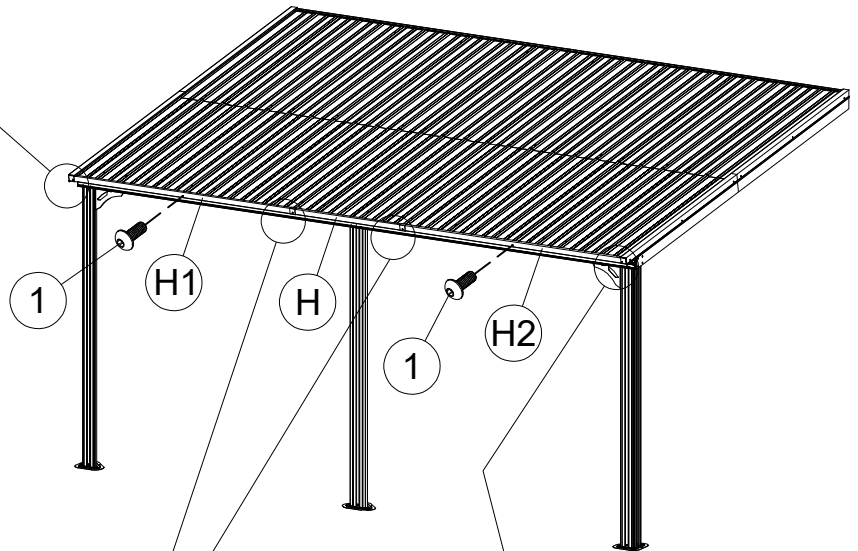
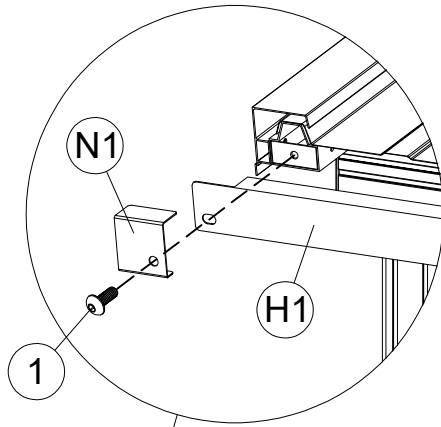


N2 1x



1 6x M6x15

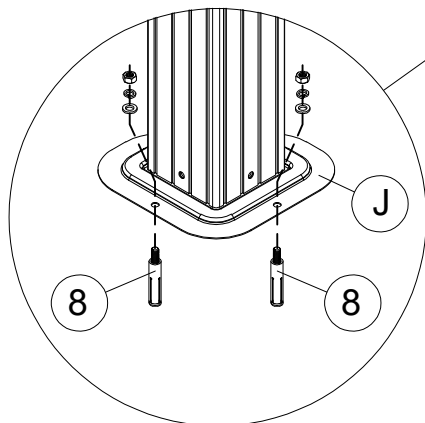
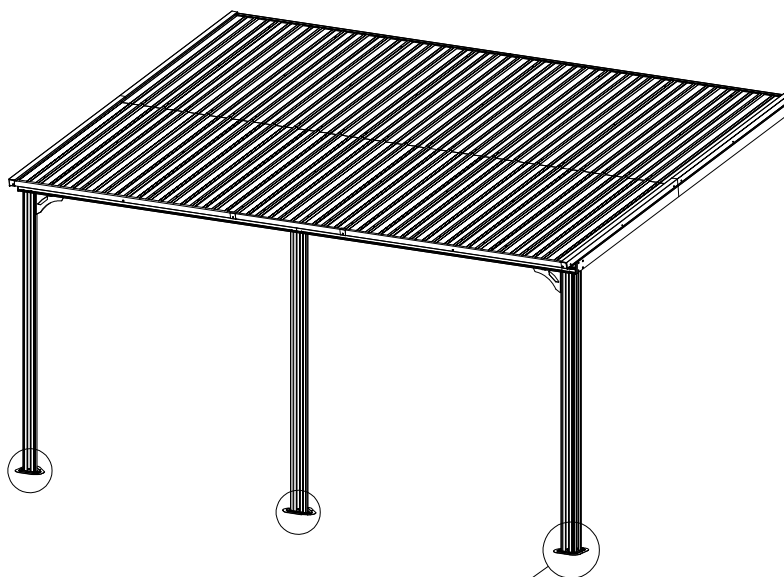
27



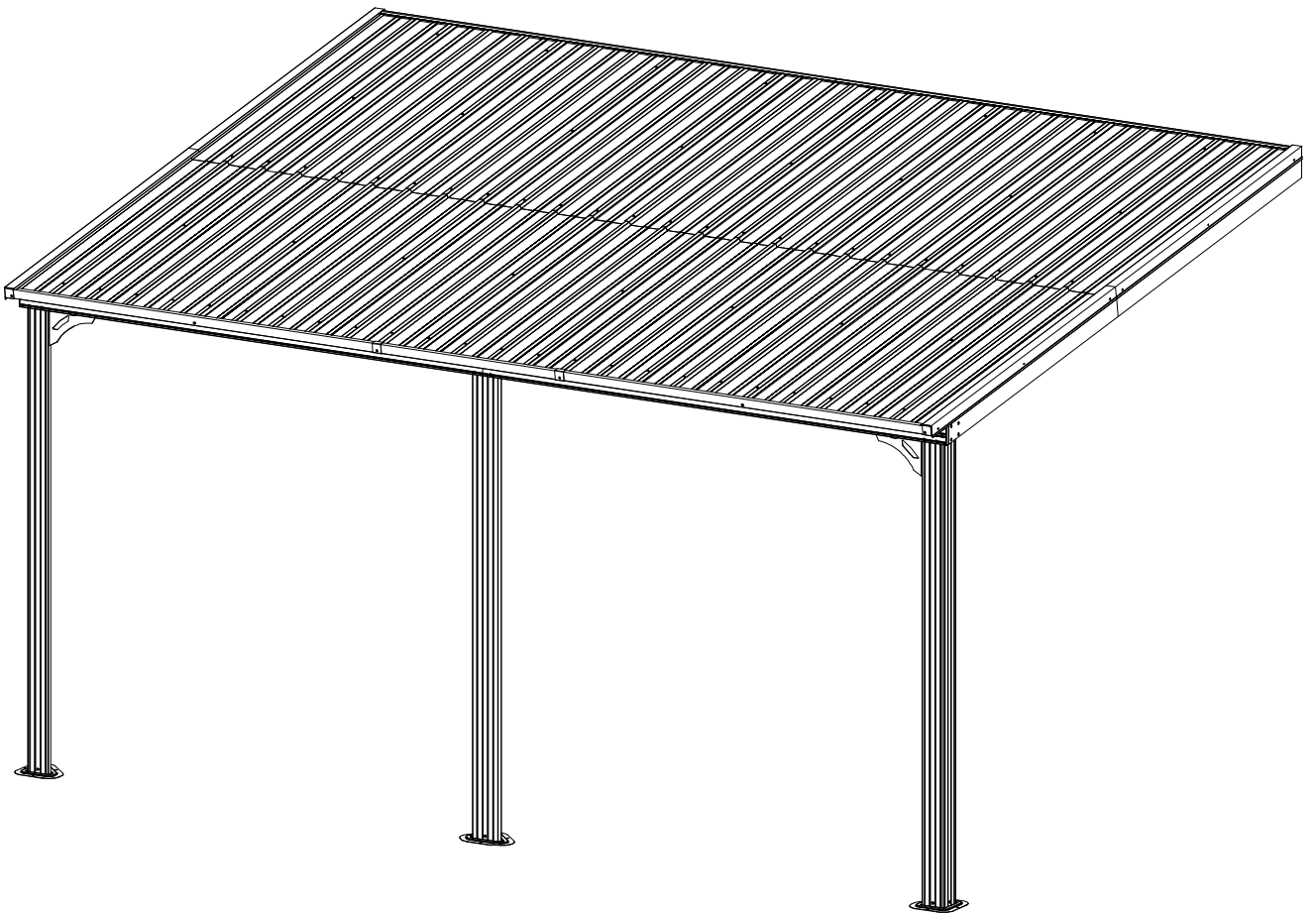


<23>

8 9x



ENJOY YOUR PRODUCT!



WARNING

Manufacturer and seller expressly disclaim any and all liability for personal injury, property damage or loss, whether direct, indirect, or incidental, resulting from the incorrect attachment, improper use, inadequate maintenance, or neglect of this product.